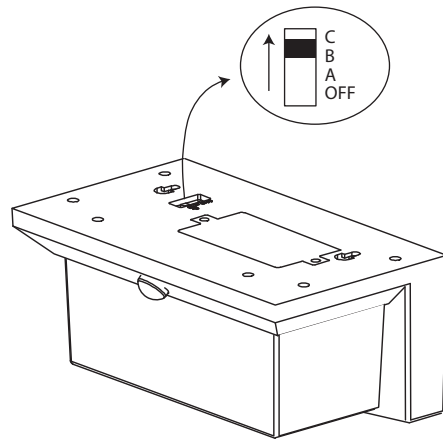


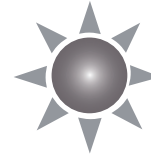
Art.no 481-14

FIRST USE

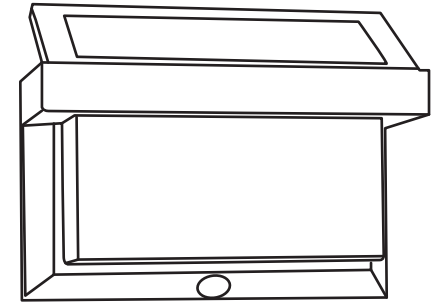
STEP 1.



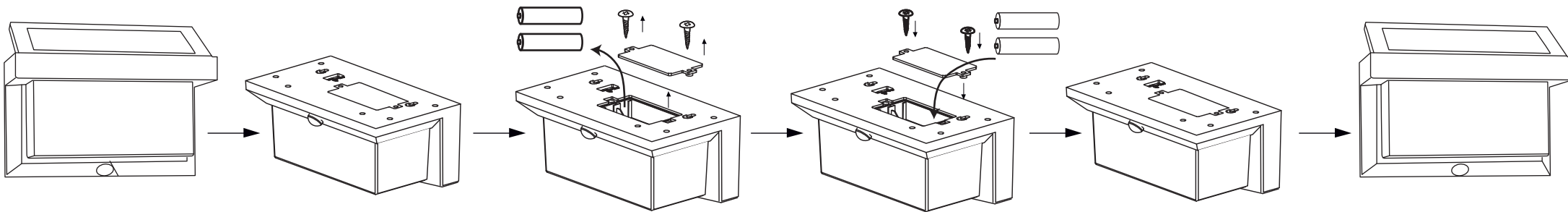
STEP 2.

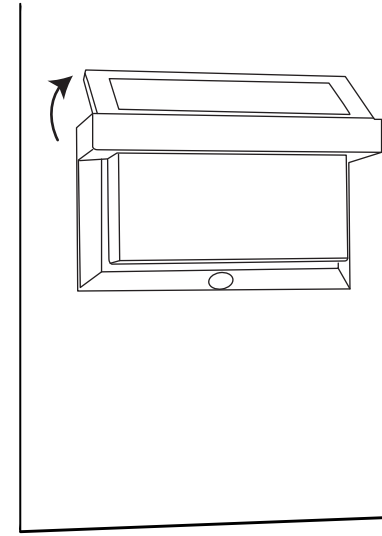
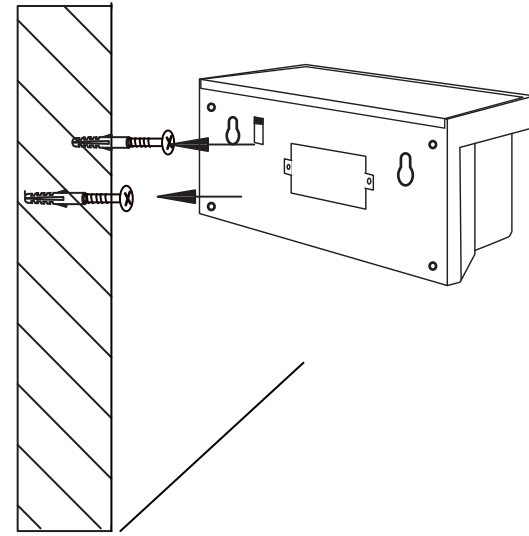
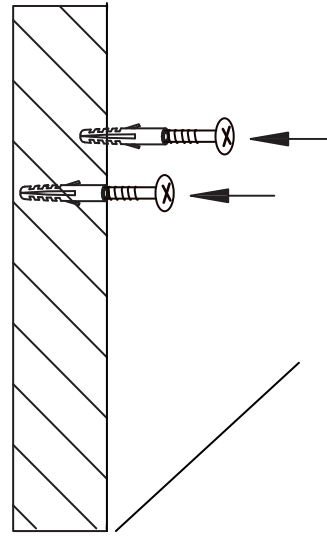
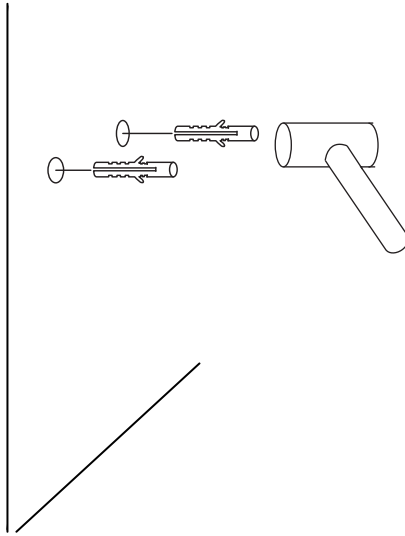
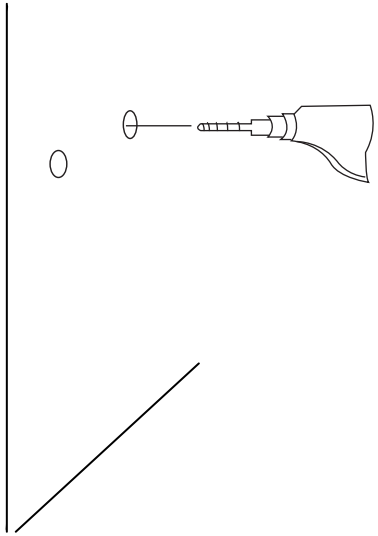
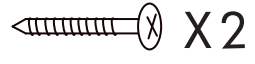
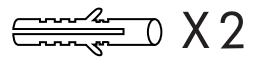


Ready after
36 h in the sun

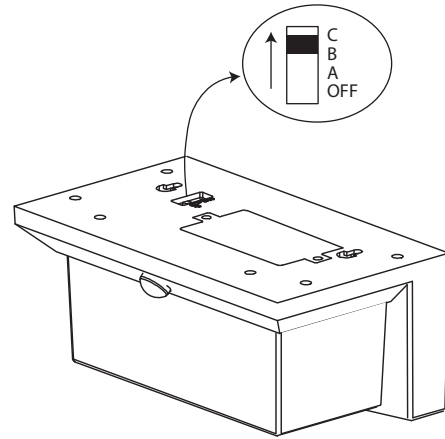


BATTERY REPLACEMENT





Art.no 481-14



Light & PIR options during night:

- A. 200 lumen constant light.
- B. PIR function 800 lumen in 20 seconds, then down to 200 lumens in 20 seconds, then off.
- C. PIR function 800 lumen in 20 seconds, then off.

